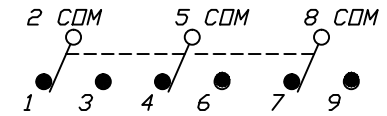
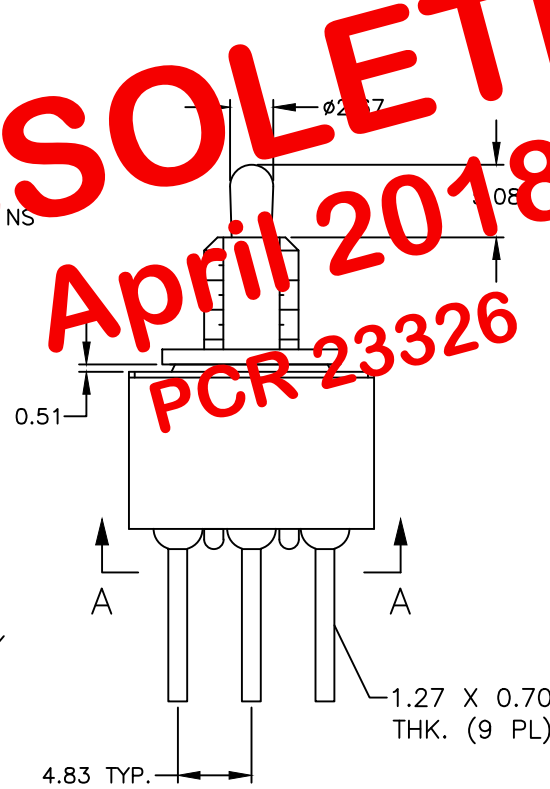
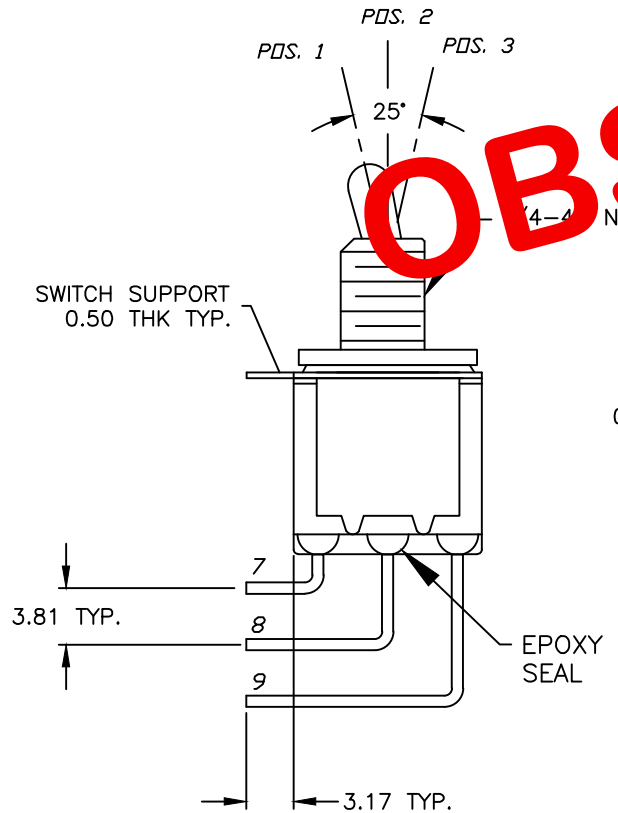


**OBSOLETE**  
**April 2018**  
**PCR 23326**



3PDT CIRCUIT CONTACT CONFIGURATION

SWITCH FUNCTION		
PDS. 1	PDS. 2	PDS. 3
2-3, 5-6 8-9	OPEN	2-1, 5-4 8-7

NOTES:

1. ALL DIMENSIONS IN MM
2. GENERAL TOLERANCE: X.X=±0.4, X.XX=±0.25
3. TERM. NOS. FOR REF. ONLY
4. RATING: 5A @120VAC OR @28VDC; 2A @250VAC
5. ELECTRIC LIFE: 50,000 MAKE AND BREAK AT FULL LOAD.
6. INSUL. RESISTANCE: 1,000M-OHMS MIN
7. DIELECTRIC STRENGTH: 1,000V RMS @SEA LEVEL
8. OPERATING TEMP.: -30°C TO +85°C

**E-SWITCH®**

TITLE		100 3P-3 T2 B9 M7 Q E				
SCALE	DATE	DR	DWG	REV		
2:1	12/06/00	PML	T135012	A		

A	11093	RELEASED FOR PRODUCTION	12/06/00	PML
REV.	ECN No.	DESCRIPTION	DATE	CHKD
THE INFORMATION CONTAINED IN THIS DOCUMENT IS PROPRIETARY TO E-SWITCH AND IS NOT TO BE COPIED OR TRANSFERRED				